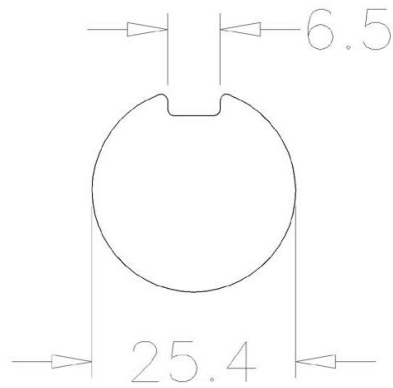


702C5500 Shaft

Images:



Description:

- Subcategory	: 06. Solid, black
- IND/RES	: IND
- Full package quantity	: 25
- Unit	: piece (1)
- Weight / Unit	: 21,4kg
- Material	: Steel
- Length	: 5500mm
- Product Family	: a 030
- Keyway	: Yes
- Outside diameter	: 1" (25,4mm)