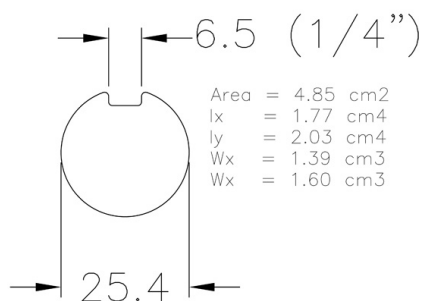


702-3500Z Shaft

Images:



Description:

- | | |
|-------------------------|--|
| - Subcategory | : 05. Solid, galvanised |
| - IND/RES | : IND |
| - Full package quantity | : 25 |
| - Unit | : piece (1) |
| - Weight / Unit | : 13,3kg |
| - Material | : Galvanised Steel |
| - Length | : 3500mm |
| - Product Family | : a 020 |
| - Keyway | : Yes |
| - Outside diameter | : 1" (25,4mm) |
| - Technical description | : 1/4inch key-way over the full length of the shaft. |