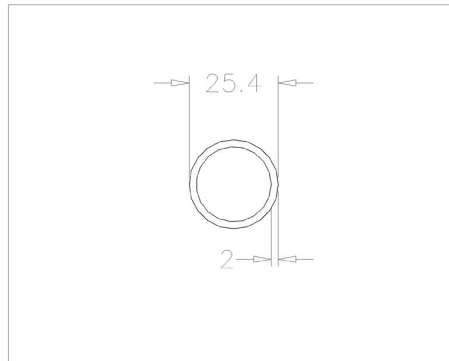


701-6800Z Shaft

Images:



Description:

- Subcategory	: 01. Tubes
- IND/RES	: RES
- Full package quantity	: 50
- Unit	: piece (1)
- Weight / Unit	: 8,2kg
- Material	: Galvanised Steel
- Length	: 6800mm
- Thickness	: 2mm
- Product Family	: a 005
- Keyway	: No
- Outside diameter	: 1" (25,4mm)