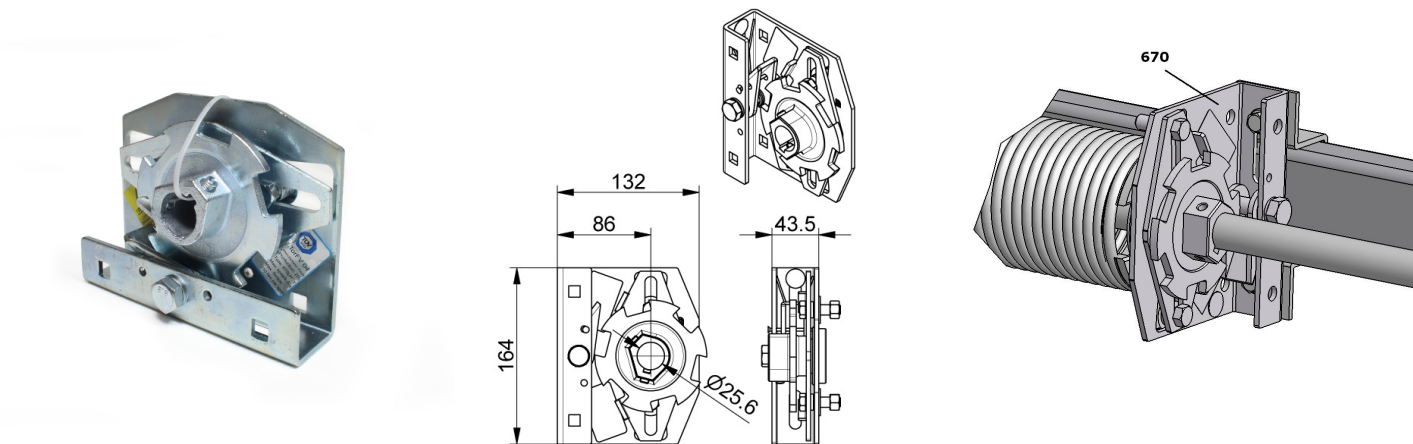


## 670RH Spring break device

Images:



Description:

- |                         |   |
|-------------------------|---|
| - Subcategory           | : 02. Industrial  |
| - IND/RES               | : IND   |
| - Full package quantity | : 15  |
| - Unit                  | : piece (1)   |
| - Weight / Unit         | : 1,65kg  |
| - Material              | : Galvanised Steel  |
| - Height                | : 164mm   |
| - Width                 | : 43,5mm  |
| - Product Family        | : a 010   |
| - Inside diameter       | : 25,4mm  |
| - Technical description | : Suitable for use with one torsion spring. For heart distance bigger than 86mm, combine with the adjustable plate 661E, 322BAS or 662N. See detailed manual. |