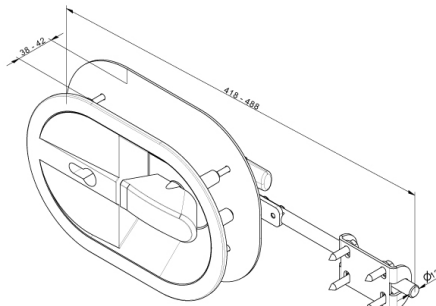


668BL Cylinder lock

Images:



Description:

- Subcategory : 02. Industrial
- IND/RES : BOTH
- Full package quantity : 5
- Unit : piece (1)
- Weight / Unit : 2,6kg
- Material : Aluminium, Steel
- Width : 488mm
- Thickness : 38mm - 42mm
- Product Family : a 022
- Keyhole : Yes
- Outside diameter : 12mm
- Marking : 668BL FF
- Commercial description : panel 38-42mm, deflection 70mm
- Technical description : The lock mechanism (inside) can be (un)locked by a lever. Deflection of 15mm round lock bar is 70mm. Guided by bracket with 2 flanges. Both T handles made of alu. T-handles black coated. Lock mechanism galvanised. Fixing material included. Order Euro cylinder CC60-4505-1 separately. DIN18252