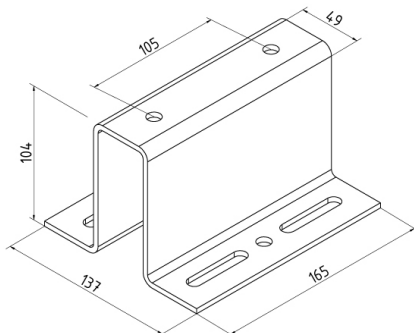


662N Assembly bracket

Images:



Description:

- Subcategory	: 04. Others
- IND/RES	: IND
- Full package quantity	: 10
- Unit	: piece (1)
- Weight / Unit	: 1,58kg
- Material	: Galvanised Steel
- Height	: 104mm
- Length	: 137mm
- Width	: 165mm
- Product Family	: a 023
- Heart-to-heart	: 190mm
- Marking	: FF
- Technical description	: A strong and stable bracket to mount the 670, 675etc. spring break devices on. Creating a heart (centre line) distance to the shaft of 190mm. Needed with vertical lift drum FFVL28 (-125)