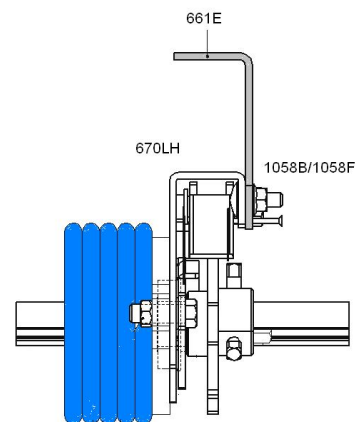
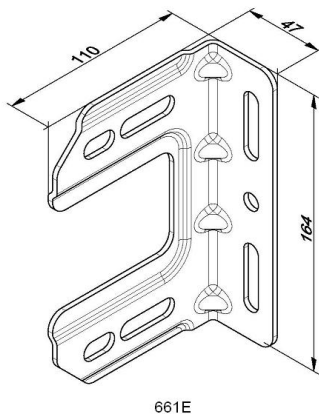


## 661E Bracket

Images:



### Description:

- |                          |  |
|--------------------------|--|
| - Subcategory            | : 04. Others   |
| - IND/RES                | : IND  |
| - Full package quantity  | : 40   |
| - Unit                   | : piece (1)  |
| - Weight / Unit          | : 0,39kg   |
| - Material               | : Galvanised Steel   |
| - Height                 | : 110mm  |
| - Length                 | : 164mm  |
| - Width                  | : 47mm   |
| - Product Family         | : a 021  |
| - Heart-to-heart         | : 86-152mm   |
| - Marking                | : 661E FF  |
| - Commercial description | : Replaces 661, NB! Bolts/nuts not included!   |
| - Technical description  | : For adjusting the heart distance for spring break devices (670etc) between 86-152mm. 2 x Bolt M10 (code 1058B) and 2 x nut M10 (code 1058F) need to be ordered separately! |