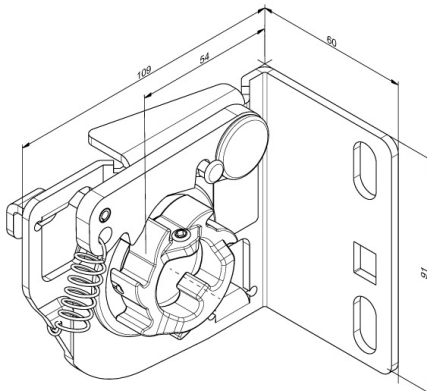
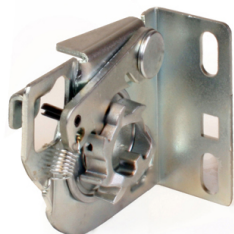


656SCR Spring break device

Images:



Description:

- Subcategory	: 01. RSC Residential
- IND/RES	: RES
- Full package quantity	: 12
- Unit	: piece (1)
- Weight / Unit	: 0,67kg
- Material	: Galvanised Steel
- Height	: 91mm
- Width	: 60mm
- Product Family	: a 002
- Heart-to-heart	: 54mm, built-in 160mm
- Inside diameter	: 25,4mm
- Max. door weight	: 250kg
- Max. performance	: 125kg per spring
- Marking	: 656SCL/R FF
- Commercial description	: Part of complete RSC residential system.
- Technical description	: Suitable for keyed tube shafts of 1 inch. Fixation pawl-wheel by installing new screw in pre-drilled hole in shaft. Universal 51mm springs. Easy installation by click-on to wall console 563SCL/R. Spring plug without bolt connection clicks into this device. Easy and fast!