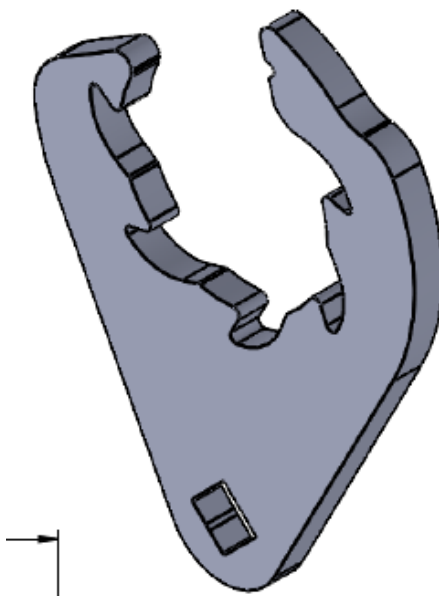
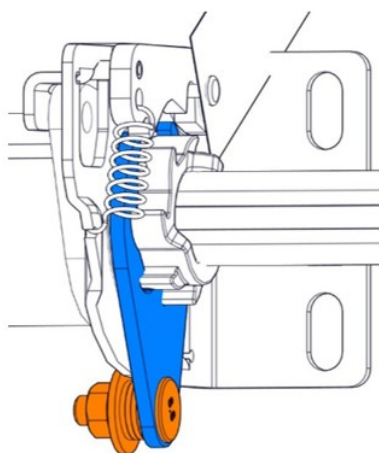


## 656SBL Locking plate

Images:



Description:

- |                          |   |
|--------------------------|---|
| - Subcategory            | : RES   |
| - IND/RES                | : RES   |
| - Full package quantity  | : 100   |
| - Unit                   | : piece (1)   |
| - Height                 | : 91mm  |
| - Width                  | : 62mm  |
| - Commercial description | : Pre-tensioned. Ready to install. Built for efficiency.  |
| - Technical description  | : This locking plate for the Type 656 spring break device allows you to pre-tension the spring and secure it firmly onto the shaft before shipment. That means you can deliver the entire assembly to your customer already tensioned |