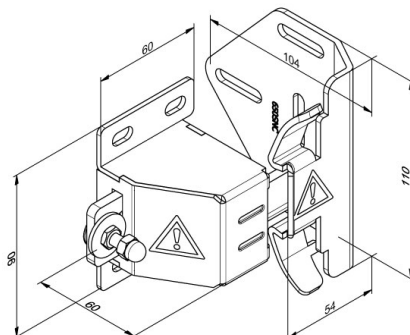


650SNCL Snapper

Images:



Description:

- Subcategory	: 04. Others
- IND/RES	: RES
- Full package quantity	: 10
- Unit	: piece (1)
- Weight / Unit	: 0,81kg
- Material	: Galvanised Steel
- Height	: 90mm
- Width	: 60mm
- Thickness	: 60mm
- Product Family	: a 036
- Keyhole	: No
- Marking	: FF
- Commercial description	: pre-assembled, left
- Technical description	: Based on the current CE-regulations for overhead doors we have developed new, CE safe snappers. Springed functioning, moves freely to prevent fingers from crushing. Supplied pre-assembled, so easier to install. Latch on panel, strike on track/angle.