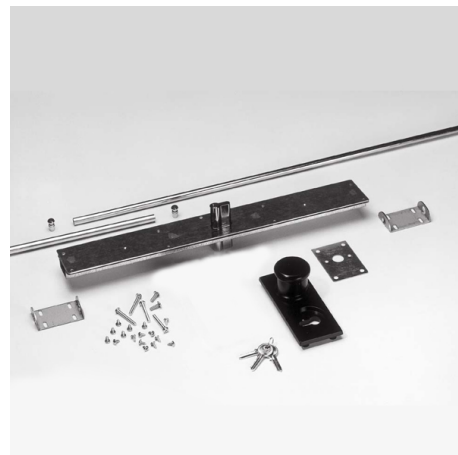
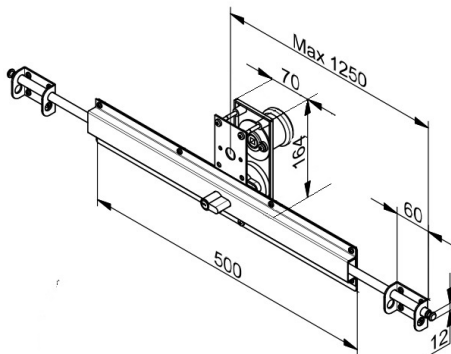


## 645-40BL Cylinder lock

Images:



Description:

- |                          |   |
|--------------------------|---|
| - Subcategory            | : 01. Residential   |
| - IND/RES                | : RES   |
| - Full package quantity  | : 5   |
| - Unit                   | : piece (1)   |
| - Weight / Unit          | : 2,6kg   |
| - Material               | : Aluminium, Steel  |
| - Colour                 | : Black   |
| - Length                 | : 164mm   |
| - Width                  | : 70mm  |
| - Product Family         | : a 001   |
| - Inside diameter        | : 15mm  |
| - Keyhole                | : Yes   |
| - Marking                | : 645-40BL FF   |
| - Commercial description | : incl. special cylinder  |
| - Technical description  | : Locking rods are operated by means of toothed wheel in cylinder, when key is turned. Special cylinder is included. Two-point closure, suitable for smaller industrial doors and garage doors (door width 2500mm). Combine with 645-2450T for wider doors. |