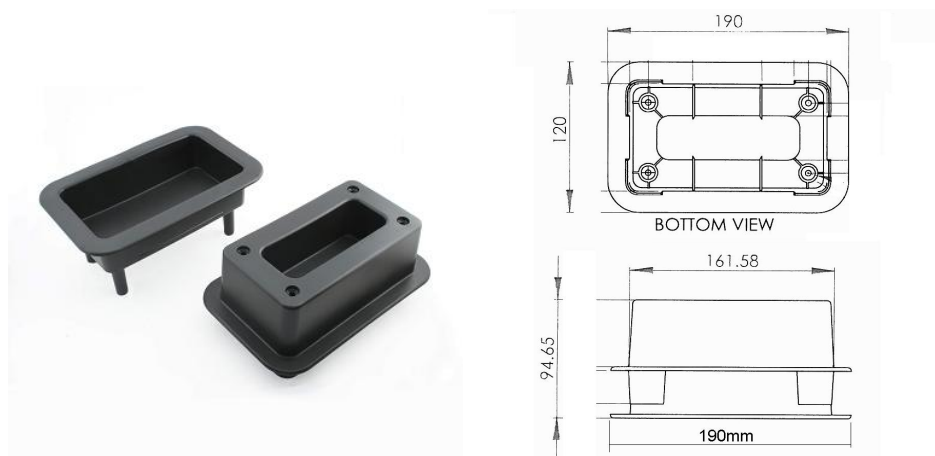


6441 Handle/footplate

Images:



Description:

- | | |
|-------------------------|--|
| - Subcategory | : 01. Grips |
| - IND/RES | : IND |
| - Full package quantity | : 42 |
| - Unit | : piece (1) |
| - Weight / Unit | : 0,39kg |
| - Material | : Plastic |
| - Colour | : Black |
| - Length | : 120mm |
| - Width | : 190mm |
| - Product Family | : a 007 |
| - Panel thickness | : 38mm - 50mm |
| - Technical description | : Stylish footplate for industrial doors. Proven quality. Incl screws. |