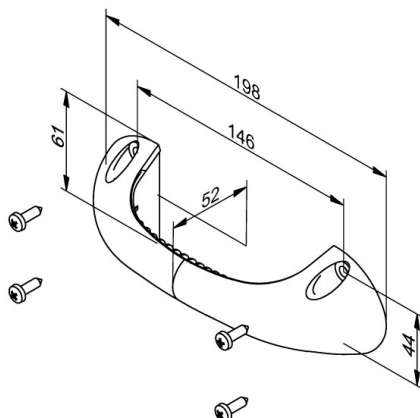


## 639BL-IN Handle

### Images:



### Description:

- |                         |  |
|-------------------------|--|
| - Subcategory           | : 01. Grips  |
| - IND/RES               | : RES  |
| - Full package quantity | : 120  |
| - Unit                  | : piece (1)  |
| - Weight / Unit         | : 0,1kg  |
| - Material              | : Plastic  |
| - Colour                | : Black  |
| - Height                | : 52mm   |
| - Length                | : 61mm   |
| - Width                 | : 198mm  |
| - Product Family        | : a 002  |
| - Technical description | : Modern and ergonomical design. Only interior part of the 639BL. On request: company logo or other colours. 4 cross recessed pan head tapping screws, 4.8 x 16 acc DIN 7981 included. |