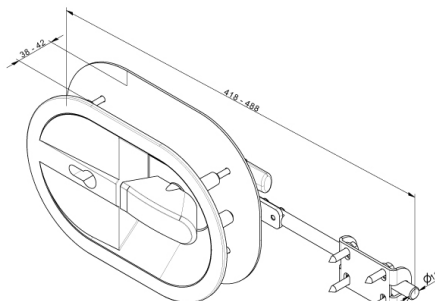


## 635BL Cylinder lock

Images:



Description:

- |                          |   |
|--------------------------|---|
| - Subcategory            | : 02. Industrial  |
| - IND/RES                | : IND   |
| - Full package quantity  | : 4   |
| - Unit                   | : piece (1)   |
| - Weight / Unit          | : 2,1kg   |
| - Material               | : Aluminium, Steel  |
| - Colour                 | : Black   |
| - Width                  | : 418mm - 488mm   |
| - Thickness              | : 38mm - 42mm   |
| - Product Family         | : a 018   |
| - Inside diameter        | : 12mm  |
| - Keyhole                | : Yes   |
| - Marking                | : FF  |
| - Commercial description | : panel 38-42mm, excl. Euro cylinder  |
| - Technical description  | : Compact, nice designed industrial lock with known lock mechanism (from 638-40). Cylinder C60-4505-1 must be ordered separately. With manual and fixing materials. Outer plate and handle are made from Aluminium and black powder coated. |