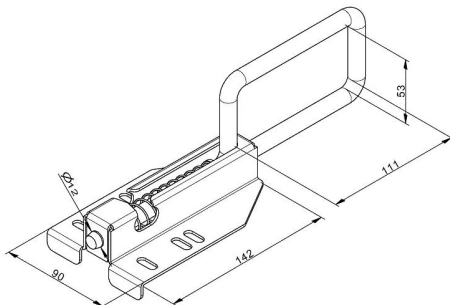


629V Slide bolt

Images:



Description:

- Subcategory	: 03. Slide bolts
- IND/RES	: BOTH
- Full package quantity	: 30
- Unit	: piece (1)
- Weight / Unit	: 0,74kg
- Material	: Galvanised Steel
- Height	: 90mm
- Length	: 53mm
- Width	: 142mm
- Thickness	: 2mm
- Product Family	: a 025
- Keyhole	: No
- Outside diameter	: 12mm
- Marking	: FF 629V
- Commercial description	: deflection 97mm
- Technical description	: Pre-assembled with round 12mm bar with pointed end. Wide base and 2 flanges take care of a solid way of mounting. For fixing, 6 slotted holes are provided, so adjustable after installation. Increased deflection compared to old version, now 97mm!