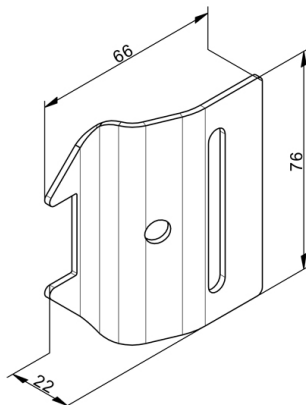


## 606STRIKE Snapper holder

Images:



### Description:

- Subcategory	: 04. Others
- IND/RES	: RES
- Full package quantity	: 50
- Unit	: piece (1)
- Weight / Unit	: 0,15kg
- Material	: Galvanised Steel
- Height	: 76mm
- Width	: 66mm
- Thickness	: 22mm
- Product Family	: a 031
- Keyhole	: No
- Commercial description	: galvanised
- Technical description	: Simple strike-plate for fixing on the track. USA-type of snap-closure.