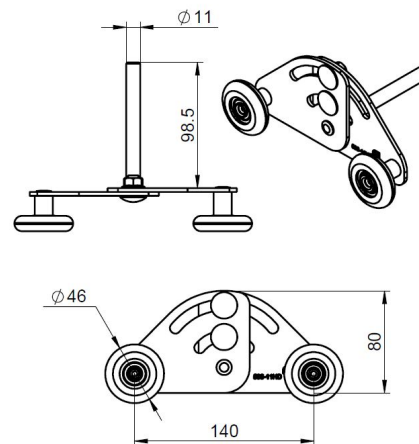


## 596-11HD Roller

### Images:



### Description:

- Subcategory	: 02. Tandem
- IND/RES	: IND
- Full package quantity	: 50
- Unit	: piece (1)
- Weight / Unit	: 0,55kg
- Material	: Nylon, Galvanised Steel
- Colour	: White
- Height	: 135mm
- Length	: 131mm
- Width	: 81mm
- Thickness	: 11mm
- Product Family	: a 006
- Max. door weight	: 50kg
- Outside diameter	: 46,5mm
- Commercial description	: replacement for 596-11
- Technical description	: The connection of the shaft is welded for extra reinforcement. Developed for high speed door solutions in combination with the 450FZB roller holder. Part of Value Pack Speed/Part of Value Pack Silent.