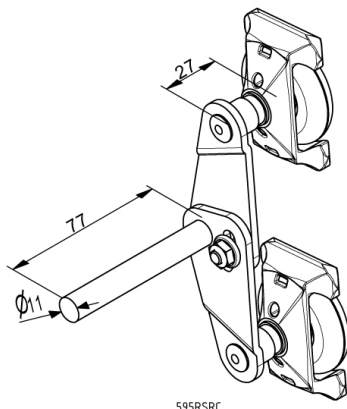


595RSRC Roller

Images:



Description:

- Subcategory : 02. Tandem
- IND/RES : RES
- Full package quantity : 50
- Unit : piece (1)
- Weight / Unit : 0,40kg
- Material : Nylon, Galvanised Steel
- Colour : White
- Length : 77mm
- Thickness : 11mm
- Product Family : a 026
- Outside diameter : 46,5mm
- Marking : 595RSRC FF
- Commercial description : with 582CEN
- Technical description : New solution. Smart design. Panel adjustment can be achieved with this roller in combination with flat side hinges (424FZN etc.). Smooth running of the door. 582CEN roller protection integrated.