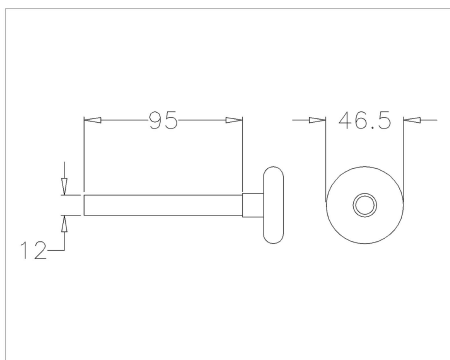


584-60 Roller

Images:



Description:

- Subcategory	: 01. Rollers
- IND/RES	: IND
- Full package quantity	: 100
- Unit	: piece (1)
- Weight / Unit	: 0,15kg
- Material	: Nylon, Galvanised Steel
- Colour	: White
- Length	: 95mm
- Thickness	: 12mm
- Product Family	: a 020
- Max. door weight	: 60kg
- Max. performance	: 60kg
- Outside diameter	: 46,5mm