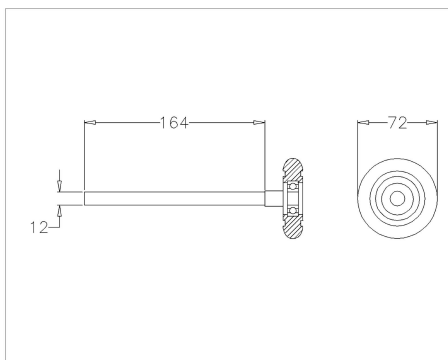


578-12-198 Roller

Images:



Description:

- Subcategory	: 01. Rollers
- IND/RES	: IND
- Full package quantity	: 50
- Unit	: piece (1)
- Weight / Unit	: 0,27kg
- Material	: Nylon, Galvanised Steel
- Colour	: Black
- Length	: 164mm
- Thickness	: 12mm
- Product Family	: a 018
- Max. performance	: 150kg
- Outside diameter	: 72mm
- Technical description	: Max. door weight per roller: 150kg.