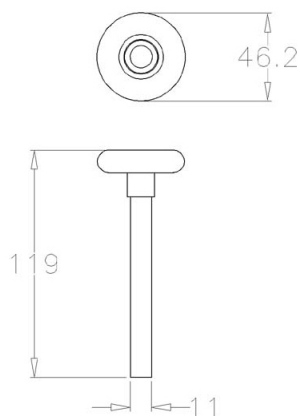


## 574SSH Roller

Images:



Description:

- Subcategory	: 01. Rollers
- IND/RES	: IND
- Full package quantity	: 100
- Unit	: piece (1)
- Weight / Unit	: 0,15kg
- Material	: Nylon, Stainless Steel
- Colour	: White
- Length	: 119mm
- Thickness	: 11mm
- Product Family	: a 013
- Max. performance	: 60kg
- Outside diameter	: 46,2mm
- Commercial description	: L = 118mm, stainless steel bearing