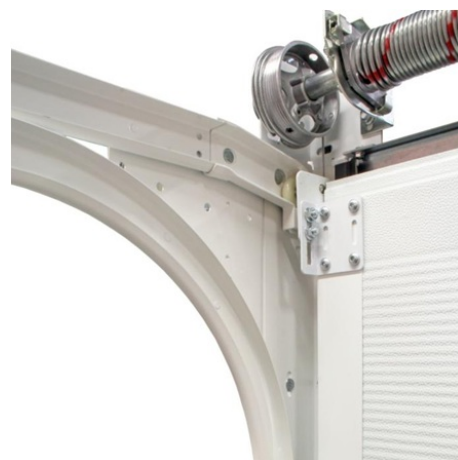
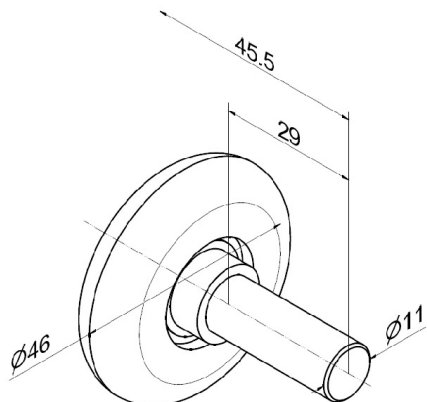


574S Roller

Images:



Description:

- | | |
|--------------------------|---|
| - Subcategory | : 01. Rollers |
| - IND/RES | : RES |
| - Full package quantity | : 200 |
| - Unit | : piece (1) |
| - Weight / Unit | : 0,09kg |
| - Material | : Nylon, Galvanised Steel |
| - Colour | : White |
| - Length | : 45,5mm |
| - Thickness | : 11mm |
| - Product Family | : a 012 |
| - Max. performance | : 35kg |
| - Outside diameter | : 46mm |
| - Commercial description | : RSC |
| - Technical description | : For springs in rear you need to apply the this new roller code.
In RSC for springs in front and springs in rear! |