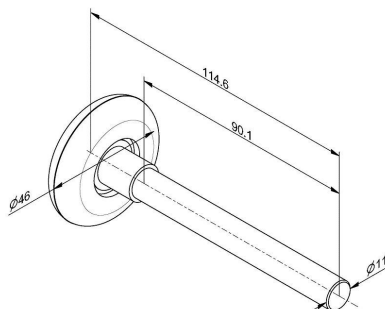


## 574RN Roller

### Images:



### Description:

- Subcategory : 01. Rollers
- IND/RES : BOTH
- Full package quantity : 150
- Unit : piece (1)
- Weight / Unit : 0,16kg
- Material : Nylon, Galvanised Steel
- Colour : White
- Length : 114,6mm
- Thickness : 11mm
- Product Family : a 010§
- Outside diameter : 46mm
- Commercial description : Improved corrosion protection. According to salt spray test NF421
- Technical description : All FlexiForce rollers are submitted to extensive life span testing. Minimal requirement is 1.400.000 cycles (turns) under 350N radial load. This ensure roller quality on long term use.