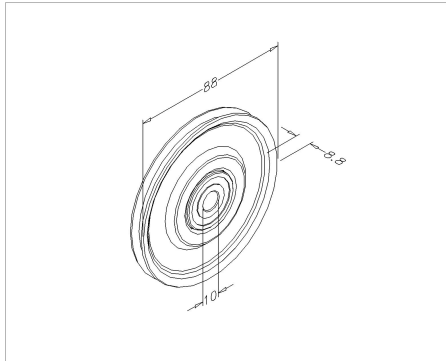


570-80 Cable pulley

Images:



Description:

- Subcategory	: 01. Pulleys
- IND/RES	: BOTH
- Full package quantity	: 80
- Unit	: piece (1)
- Weight / Unit	: 0,14kg
- Material	: Galvanised Steel
- Product Family	: 07 Cable pulleys
- Inside diameter	: 10mm
- Max. cable diameter	: 4mm
- Max. door weight	: 340kg
- Outside diameter	: 88mm