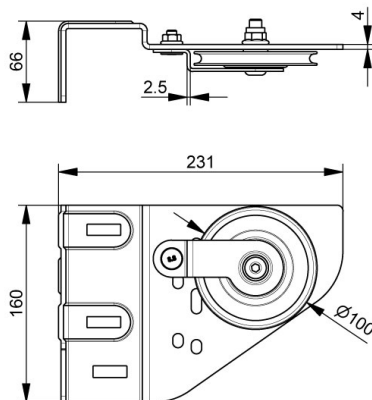


568-100CL Pulley bracket

Images:



Description:

- Subcategory	: 03. Others
- IND/RES	: IND
- Full package quantity	: 5
- Unit	: piece (1)
- Weight / Unit	: 1,63kg
- Material	: Galvanised Steel
- Height	: 160mm
- Length	: 231mm
- Width	: 66mm
- Thickness	: 4mm
- Product Family	: 16 Cable pulleys
- Left / Right	: Left
- Max. door weight	: 500kg
- Marking	: 568-100CL
- Commercial description	: 3 pulley positions, incl. 100mm pulley
- Technical description	: Adjustable pulley positions to come to optimized installation: build-in height and door opening height. System allows min. 200mm build-in height. Comes pre-mounted in position 2. See manual for installation details.