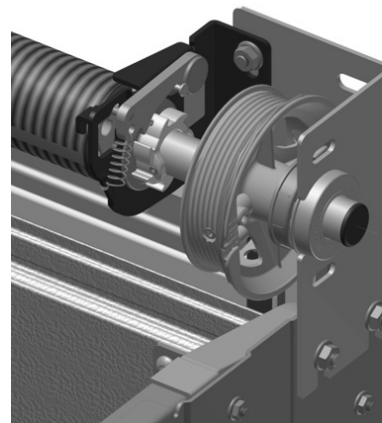
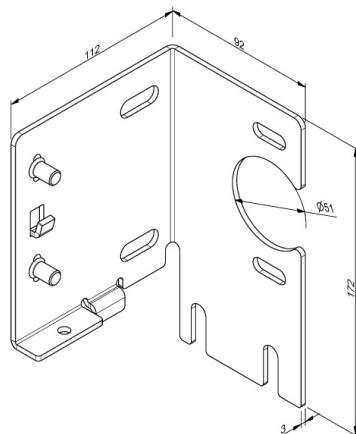


563SR Wall console

Images:



Description:

- Subcategory	: 05. Others
- IND/RES	: RES
- Full package quantity	: 20
- Unit	: piece (1)
- Weight / Unit	: 0,6kg
- Material	: Galvanised Steel
- Thickness	: 3mm
- Product Family	: a 060
- Left / Right	: Right
- Marking	: 563SR FF
- Technical description	: Allows easy shaft installation. Hook-on lip, pre-installed bolts for 656S spring break device, installation hole for 915VRA lintel profile, double fixation to track system. Making a very strong upper-corner of RSC hardware system.