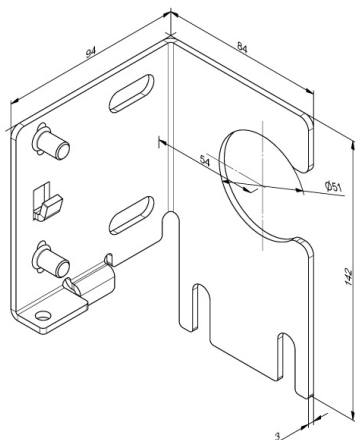
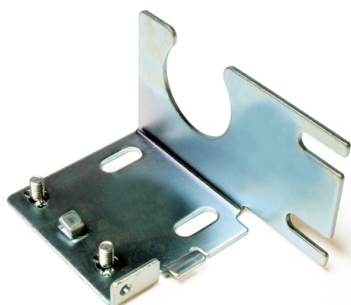


563SCR Wall console

Images:



Description:

| | |
|-------------------------|---|
| - Subcategory | : 05. Others |
| - IND/RES | : RES |
| - Full package quantity | : 20 |
| - Unit | : piece (1) |
| - Weight / Unit | : 0,42kg |
| - Material | : Galvanised Steel |
| - Thickness | : 3mm |
| - Product Family | : a 056 |
| - Left / Right | : Right |
| - Marking | : 563SCR FF |
| - Technical description | : Allows easy shaft installation. Hook-on lip, pre-installed bolts for 656SC spring break device, installation hole for 915VRA lintel profile, double fixation to track system. Making a very strong upper-corner of RSC hardware system. |