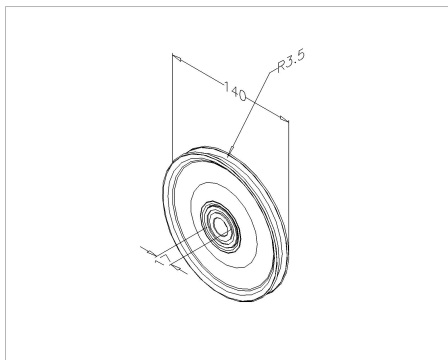


554-140 Cable pulley

Images:



Description:

- Subcategory	: 01. Pulleys
- IND/RES	: IND
- Full package quantity	: 30
- Unit	: piece (1)
- Weight / Unit	: 0,56kg
- Material	: Galvanised Steel
- Product Family	: 05 Cable pulleys
- Inside diameter	: 17mm
- Max. cable diameter	: 6mm
- Max. door weight	: 650kg
- Max. performance	: 650kg
- Outside diameter	: 140mm
- Technical description	: The high quality production method results in a weldless cable groove. By means of 2 bearing bushes, article 557BUS, the hole for the shaft can be reduced to 10mm.