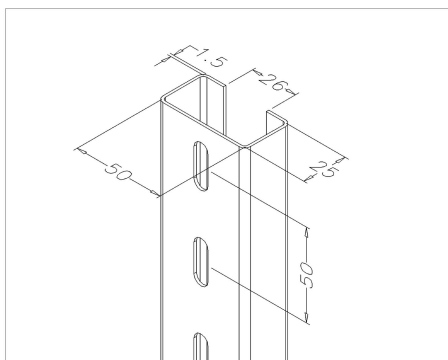


## 50SU4500 Suspension profile

Images:



### Description:

|                         |   |
|-------------------------|---|
| - Subcategory           | : 08. Suspension  |
| - IND/RES               | : BOTH  |
| - Full package quantity | : 50  |
| - Unit                  | : piece (1)   |
| - Weight / Unit         | : 6,66kg  |
| - Material              | : Galvanised Steel  |
| - Length                | : 4500mm  |
| - Width                 | : 50mm  |
| - Thickness             | : 1,5mm   |
| - Product Family        | : a 093   |
| - Technical description | : Provided each 50mm with slotted holes 8.5x25mm at wide flange. 1 small flange slotted holes 8.5x25mm located each 300mm. 48SU can slide into 50SU. Coupling strip 1025-200 for quick construction. Or use with paro clamp plates. |