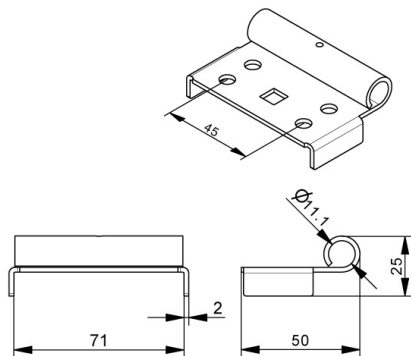


450SZW Slide

Images:



Description:

- Subcategory	: 09. Slides
- IND/RES	: BOTH
- Full package quantity	: 100
- Unit	: piece (1)
- Weight / Unit	: 0,12kg
- Material	: Galvanised Steel
- Colour	: White
- Width	: 71mm
- Thickness	: 2mm
- Product Family	: a 127
- Heart-to-heart	: 45mm
- Marking	: 450SZW FF
- Commercial description	: 11mm roller shaft
- Technical description	: White slide for side hinges with a width of 70mm.