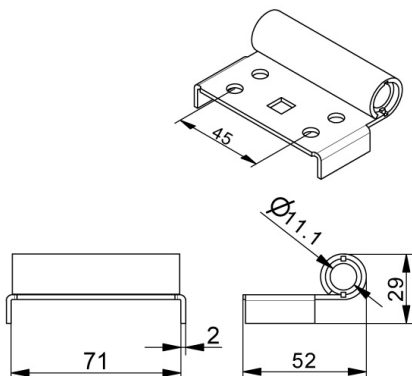
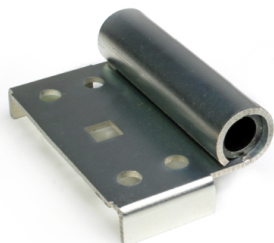


## 450SZB Slide

Images:



### Description:

|                          |   |
|--------------------------|---|
| - Subcategory            | : 09. Slides  |
| - IND/RES                | : BOTH  |
| - Full package quantity  | : 100   |
| - Unit                   | : piece (1)   |
| - Weight / Unit          | : 0,112kg   |
| - Material               | : Galvanised Steel, Plastic   |
| - Length                 | : 70mm  |
| - Width                  | : 70mm  |
| - Thickness              | : 2mm   |
| - Product Family         | : a 126   |
| - Heart-to-heart         | : 45mm  |
| - Marking                | : 450SZB  |
| - Commercial description | : 11mm roller shaft   |
| - Technical description  | : New roller slides, featuring a silencing plastic filling. No more squeaking or scratching, just silent run of the rollers in the hinges. Part of Value Pack Silent. |