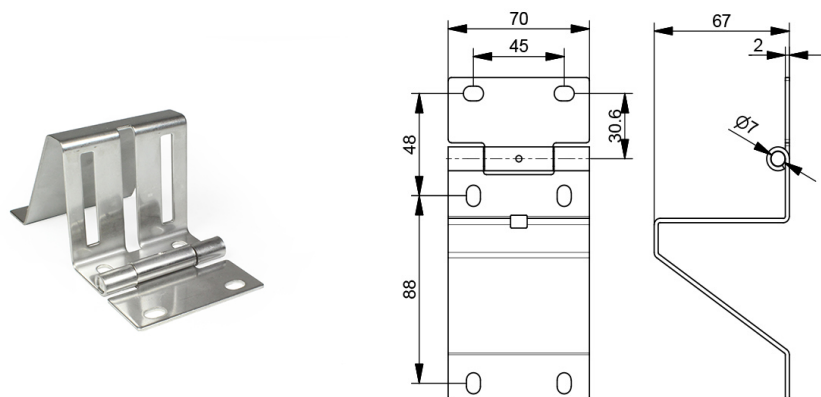


## 450RN304 Side hinge

Images:



Description:

- Subcategory	: 08. Side, Industrial
- IND/RES	: IND
- Full package quantity	: 40
- Unit	: piece (1)
- Weight / Unit	: 0,27kg
- Material	: Stainless Steel
- Width	: 70mm
- Thickness	: 2mm
- Product Family	: a 103§
- Heart-to-heart	: 45mm
- Technical description	: replaces 450R304