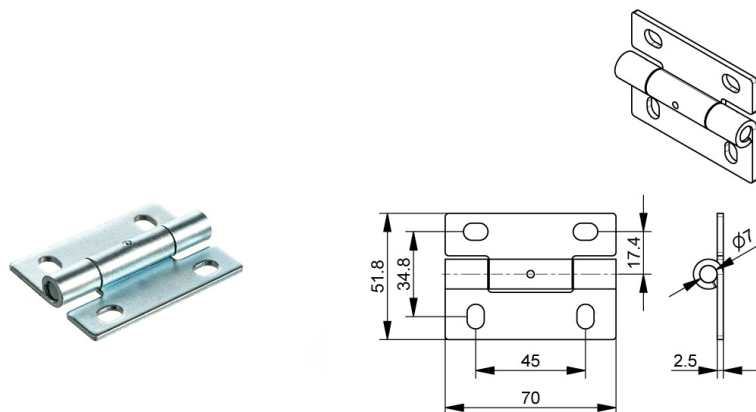


## 450HZN50 Intermediate hinge

Images:



Description:

- Subcategory	: 04. Intermediate, Industrial
- IND/RES	: IND
- Full package quantity	: 100
- Unit	: piece (1)
- Weight / Unit	: 0,12kg
- Material	: Galvanised Steel
- Length	: 51,8mm
- Width	: 70mm
- Thickness	: 2,5mm
- Product Family	: a 029§
- Heart-to-heart	: 45mm