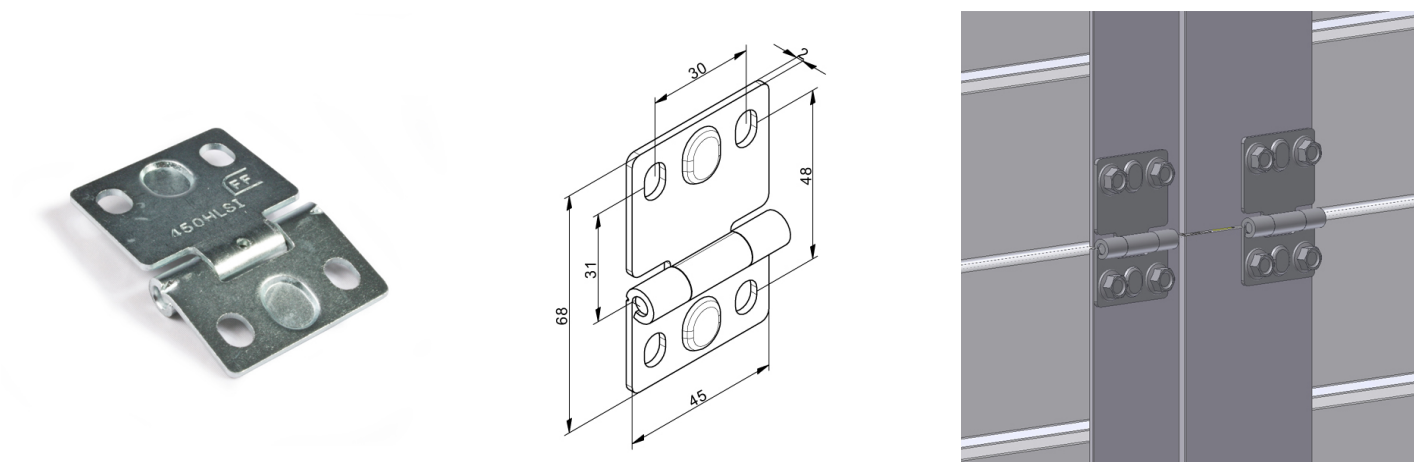


## 450HLSI Intermediate hinge

Images:



Description:

- Subcategory	: 04. SafeStep/SideStep
- IND/RES	: IND
- Full package quantity	: 150
- Unit	: piece (1)
- Weight / Unit	: 0,06kg
- Material	: Galvanised Steel
- Height	: 68mm
- Width	: 45mm
- Thickness	: 2mm
- Product Family	: a 059
- Heart-to-heart	: 30mm
- Marking	: 450HLSI FF
- Commercial description	: on profile 1033LD/LS
- Technical description	: Intermediate hinge for mounting on alu casing profile (code 1033LD/LS) and suitable for industrial panels. The hinge has less play than average hinges, which is needed to increase quality of the construction. Part of a complete pass door SafeStep industrial.