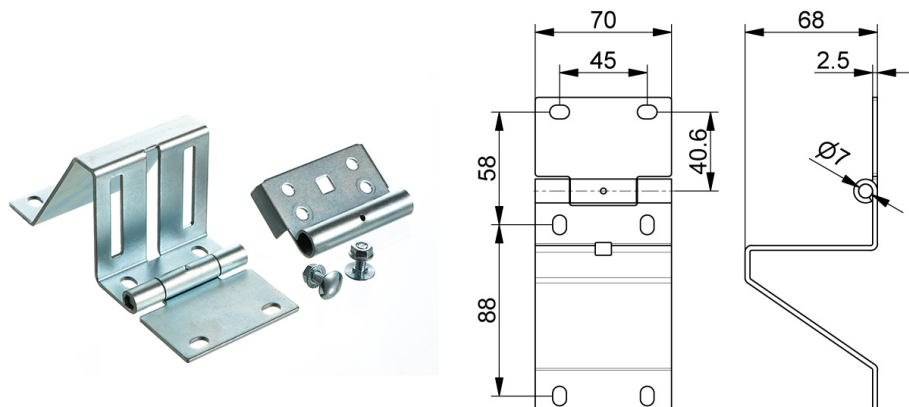


450CZN10 Side hinge

Images:



Description:

- Subcategory	: 08. Side, Industrial
- IND/RES	: BOTH
- Full package quantity	: 100
- Unit	: piece (1)
- Weight / Unit	: 0,45kg
- Material	: Galvanised Steel
- Thickness	: 2,5mm
- Product Family	: a 099§
- Heart-to-heart	: 45mm
- Commercial description	: complete, 11mm roller shaft