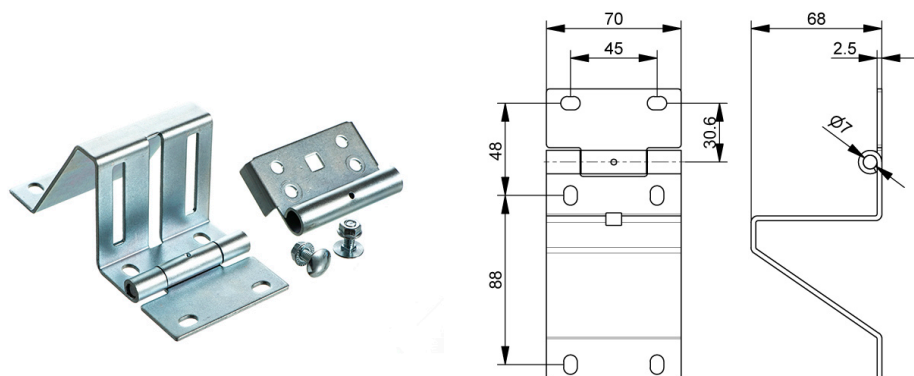


450CZN Side hinge

Images:



Description:

| | |
|--------------------------|-------------------------------|
| - Subcategory | : 08. Side, Industrial |
| - IND/RES | : IND |
| - Full package quantity | : 100 |
| - Unit | : piece (1) |
| - Weight / Unit | : 0,45kg |
| - Material | : Galvanised Steel |
| - Thickness | : 2,5mm |
| - Product Family | : a 098§ |
| - Heart-to-heart | : 45mm |
| - Commercial description | : complete, 11mm roller shaft |