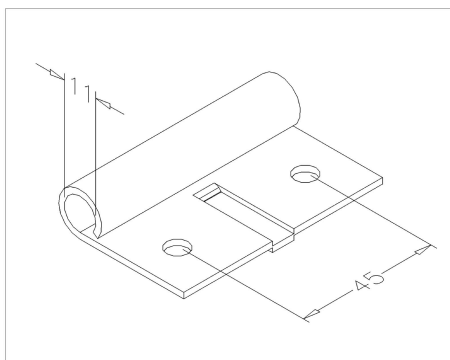


## 447Z Slide

Images:



Description:

- Subcategory	: 09. Slides
- IND/RES	: IND
- Full package quantity	: 100
- Unit	: piece (1)
- Weight / Unit	: 0,12kg
- Material	: Galvanised Steel
- Thickness	: 2,5mm
- Product Family	: a 122
- Marking	: 447Z FF
- Commercial description	: 11mm roller shaft