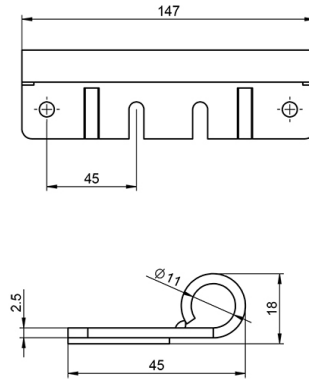


447DOUB Slide

Images:



Description:

- Subcategory	: 09. Slides
- IND/RES	: IND
- Full package quantity	: 100
- Unit	: piece (1)
- Weight / Unit	: 0,22kg
- Material	: Galvanised Steel
- Width	: 147mm
- Product Family	: a 120
- Heart-to-heart	: 77mm
- Commercial description	: 11mm roller shaft