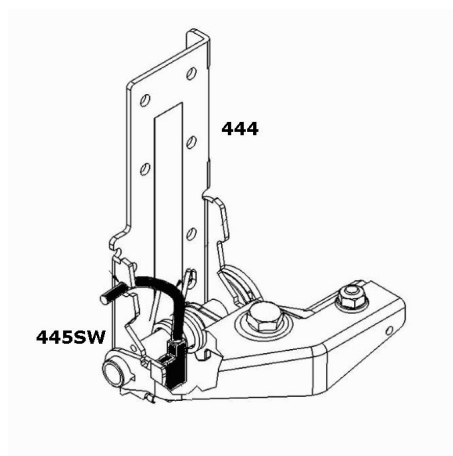
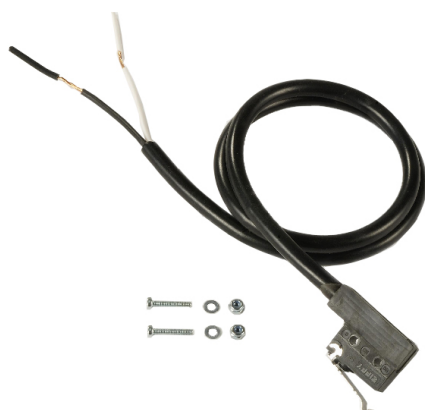


445SW Switch

Images:



Description:

- Subcategory	: 03. Others
- IND/RES	: IND
- Full package quantity	: 20
- Unit	: piece (1)
- Weight / Unit	: 0,03kg
- Length	: 205mm
- Width	: 150mm
- Product Family	: a 018
- Marking	: 445SW FF
- Commercial description	: IP67
- Technical description	: Suitable for fitting to 444 and 440(S) cable break devices. Switch with bracket is operated as soon as bracket of cable break device is relieved and operates the switch by turning lifting cable, in that way stopping the E-operator. Complete with cable, 2 core.