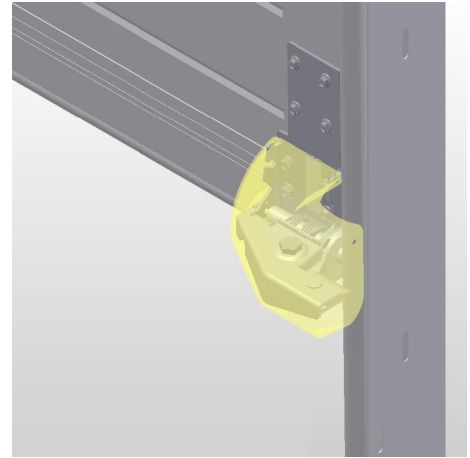
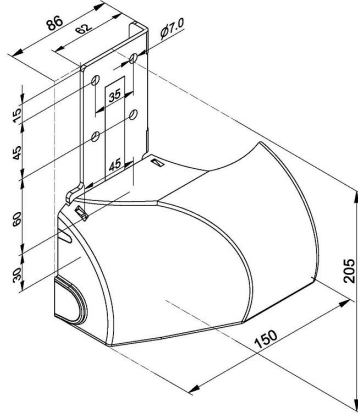


444 Cable break device

Images:



Description:

- Subcategory	: 01. Adjustable
- IND/RES	: IND
- Full package quantity	: 1
- Unit	: pair (2)
- Weight / Unit	: 2,29kg
- Material	: Galvanised Steel
- Length	: 205mm
- Width	: 150mm
- Product Family	: a 001
- Adjustable	: Yes
- Max. cable diameter	: 5mm
- Max. door weight	: 400kg
- Shaft Size	: 11mm
- Track width	: 2"
- Marking	: FF
- Commercial description	: See online video!
- Technical description	: Main features: Only 1 version, adjustable in two directions, standard lifting cable connections, standard cover (CE), slack cable switch (445SW) available, compact design.