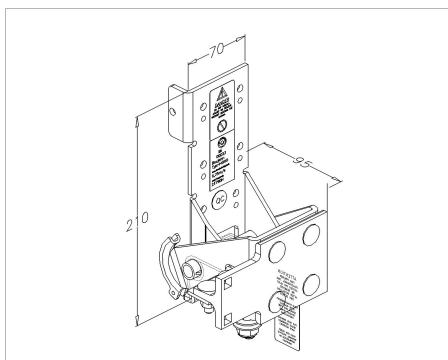


440HD Cable break device

Images:



Description:

- | | |
|-------------------------|---|
| - Subcategory | : 02. Not adjustable |
| - IND/RES | : IND |
| - Full package quantity | : 10 |
| - Unit | : pair (2) |
| - Weight / Unit | : 4,4kg |
| - Material | : Galvanised Steel |
| - Height | : 210mm |
| - Length | : 95mm |
| - Width | : 70mm |
| - Product Family | : a 014 |
| - Adjustable | : No |
| - Max. door weight | : 960kg |
| - Shaft Size | : 11mm |
| - Track width | : 2" |
| - Technical description | : The device is suitable for 2inch track and is for 11mm roller shaft. Cable fixing (non-adjustable) by included M10 bolt/nut. For more information see our separate manual |