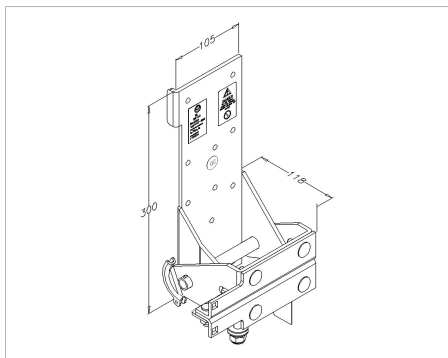


440-3 Cable break device

Images:



Description:

- Subcategory	: 02. Not adjustable
- IND/RES	: IND
- Full package quantity	: 5
- Unit	: pair (2)
- Weight / Unit	: 6,5kg
- Material	: Galvanised Steel
- Height	: 300mm
- Length	: 118mm
- Width	: 105mm
- Product Family	: a 015
- Adjustable	: No
- Left / Right	: Right
- Max. door weight	: 750kg
- Shaft Size	: 11mm
- Track width	: 3"
- Technical description	: The device is suitable for 3 inch track and is for 11mm roller shaft. Cable fixing (non-adjustable) by included M10 bolt/nut. For more information see our separate manual