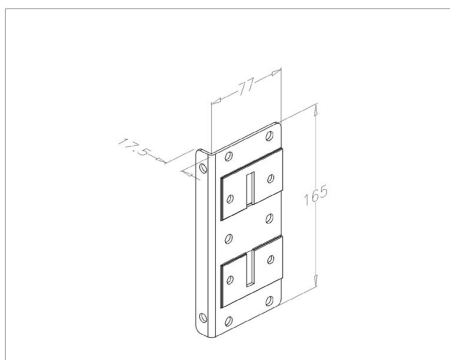


## 431S Bottom bracket

### Images:



### Description:

- Subcategory	: 02. Not adjustable
- IND/RES	: RES
- Full package quantity	: 10
- Unit	: pair (2)
- Weight / Unit	: 1,76kg
- Material	: Galvanised Steel
- Height	: 165mm
- Length	: 77mm
- Width	: 17,5mm
- Thickness	: 2,5mm
- Product Family	: 21 Bottom brackets
- Adjustable	: No
- Max. cable diameter	: 3mm
- Max. door weight	: 295kg
- Commercial description	: 11mm roller shaft,
- Technical description	: Universal for left and right side. Supply includes selftapping screws and roller slide for 11mm shaft. The fixation of the cable is not directly to the bracket, but to the roller shaft (577). Max doorweight is determined by cable performance (3mm), Track 2inch