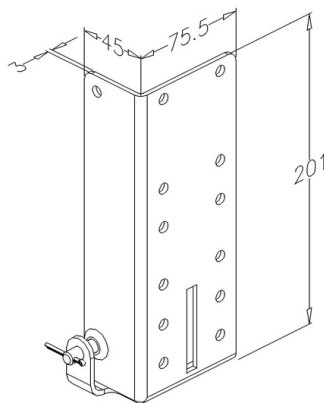


429S Bottom bracket

Images:



Description:

- Subcategory	: 02. Not adjustable
- IND/RES	: IND
- Full package quantity	: 20
- Unit	: pair (2)
- Weight / Unit	: 1,5kg
- Material	: Galvanised Steel
- Height	: 201mm
- Length	: 75,5mm
- Width	: 45mm
- Thickness	: 3mm
- Product Family	: 19 Bottom brackets
- Adjustable	: No
- Max. cable diameter	: 5mm
- Max. door weight	: 560kg
- Marking	: L/R, FF
- Commercial description	: 11mm roller shaft
- Technical description	: Like article 429, but now with separate roller slide. This provides (dis)assembling the lower roller without removing the cable attachment. Easier positioning lower panel in door opening. Includes slides (447S), 1042 (clevis pins), 4x1055BV screws. ax doorweight is determined by cable performance (5