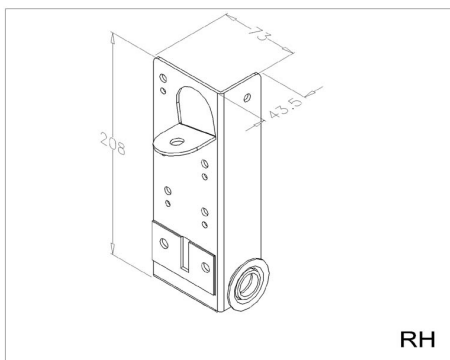


427SX Bottom bracket

Images:



Description:

- Subcategory	: 01. Adjustable
- IND/RES	: BOTH
- Full package quantity	: 30
- Unit	: pair (2)
- Weight / Unit	: 1,5kg
- Material	: Galvanised Steel
- Height	: 208mm
- Length	: 73mm
- Width	: 43,5mm
- Thickness	: 2,5mm
- Product Family	: 13 Bottom brackets
- Adjustable	: Yes
- Max. cable diameter	: 5mm
- Max. door weight	: 275kg
- Commercial description	: 11mm roller shaft,
- Technical description	: With separate slide, installed (with roller). Lifting cable is connected to bracket with eye bolt for cable adjustment. Cable guidance has large radius and smooth surface. With 2xM10 bolts (1050B), 4 nuts, 2 roller slides, 4 self tapping screws. Max doorweight is determined by cable performance (5mm)