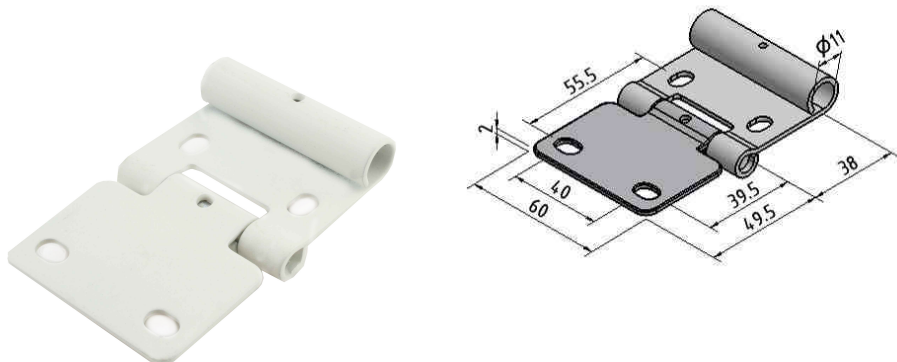


423FZW Side hinge

Images:



Description:

- Subcategory	: 07. Side, Kingspan
- IND/RES	: RES
- Full package quantity	: 50
- Unit	: piece (1)
- Weight / Unit	: 0,13kg
- Material	: Galvanised Steel
- Width	: 60mm
- Thickness	: 2mm
- Product Family	: a 081
- Heart-to-heart	: 40mm
- Panel brand	: Kingspan
- Marking	: FF
- Commercial description	: Kingspan panel, w = 60mm, white, RAL 9016
- Technical description	: To be used with tandemroller 595RSF/R. The adjustment panel/seal is easily done with the tandemroller. So, a non adjustable side hinge with a low build-in size, which gives better apperance and quality look. Quiet run of the door.