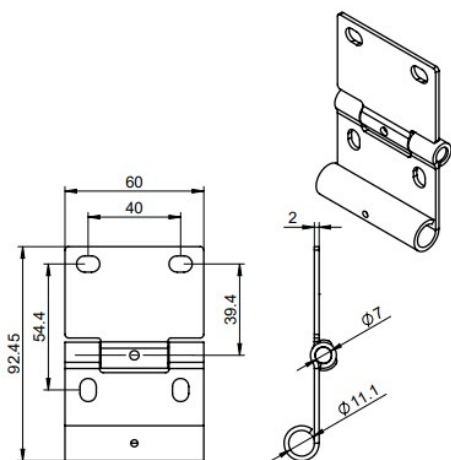


423FZN10R Side hinge

Images:



Description:

- Subcategory : 07. Side, Kingspan
- IND/RES : IND
- Full package quantity : 50
- Unit : piece (1)
- Weight / Unit : 0,14kg
- Material : Galvanised Steel
- Width : 60mm
- Product Family : a 103§
- Panel brand : Kingspan
- Commercial description : side hinge, tandem, 40mm Kingspan, w=60mm
- Technical description : New design with improved quality and appearance