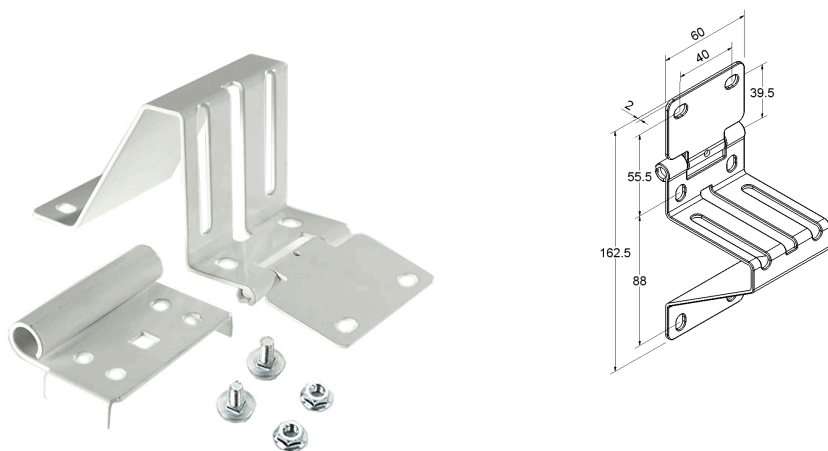


423CZW10R Side hinge

Images:



Description:

- Subcategory	: 07. Side, Kingspan
- IND/RES	: RES
- Full package quantity	: 100
- Unit	: piece (1)
- Weight / Unit	: 0,39kg
- Material	: Galvanised Steel
- Colour	: White
- Width	: 60mm
- Thickness	: 2mm
- Product Family	: a 079
- Heart-to-heart	: 40mm
- Panel brand	: Kingspan
- Commercial description	: RAL 9016. Complete, W = 60mm, 11mm roller shaft