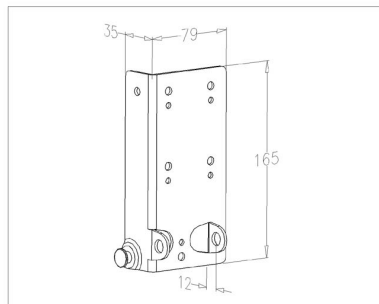


422W Bottom bracket

Images:



Description:

- Subcategory	: 02. Not adjustable
- IND/RES	: RES
- Full package quantity	: 25
- Unit	: pair (2)
- Weight / Unit	: 1kg
- Material	: Galvanised Steel
- Colour	: White
- Height	: 165mm
- Length	: 79mm
- Width	: 35mm
- Thickness	: 2,5mm
- Product Family	: 09 Bottom brackets
- Adjustable	: No
- Max. cable diameter	: 5mm
- Max. door weight	: 360kg
- Marking	: L/R, FF
- Commercial description	: RAL9010. 11mm roller shaft
- Technical description	: Systems with springs in front. Cable connected to pin at the side of the console. Integrated roller slide. Max doorweight is determined by cable performance (5mm), Track 2inch.