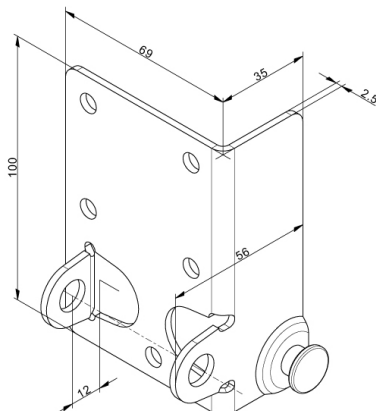
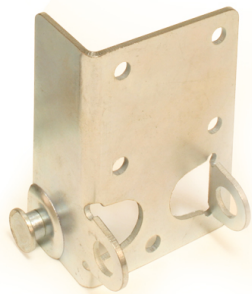


## 422S Bottom bracket

Images:



Description:

|                          |   |
|--------------------------|---|
| - Subcategory            | : 02. Not adjustable  |
| - IND/RES                | : RES   |
| - Full package quantity  | : 75  |
| - Unit                   | : pair (2)  |
| - Weight / Unit          | : 0,4kg   |
| - Material               | : Galvanised Steel  |
| - Height                 | : 56mm  |
| - Length                 | : 100mm   |
| - Width                  | : 80mm  |
| - Thickness              | : 2,5mm   |
| - Product Family         | : 10 Bottom brackets  |
| - Adjustable             | : No  |
| - Max. cable diameter    | : 4mm   |
| - Max. door weight       | : 300kg   |
| - Marking                | : 422SL/R FF  |
| - Commercial description | : 11mm roller, springs in front   |
| - Technical description  | : Cable connected to pin at the side of the console. Integrated roller slide. Max doorweight is determined by cable performance, 2inch track. Light and more efficient alternative to 422 console. Savings! |